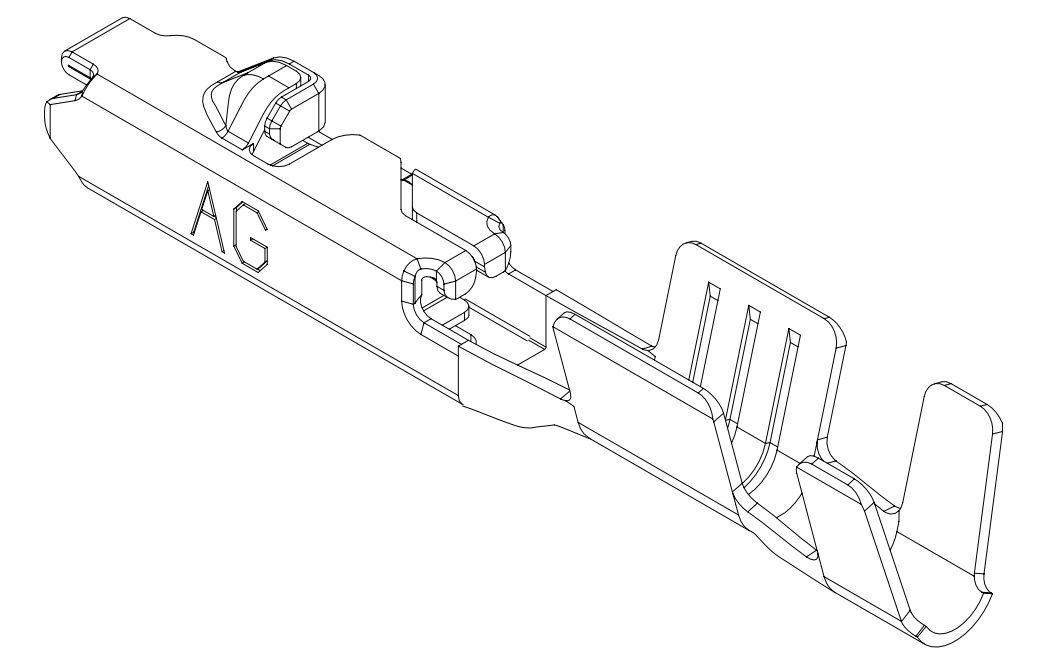
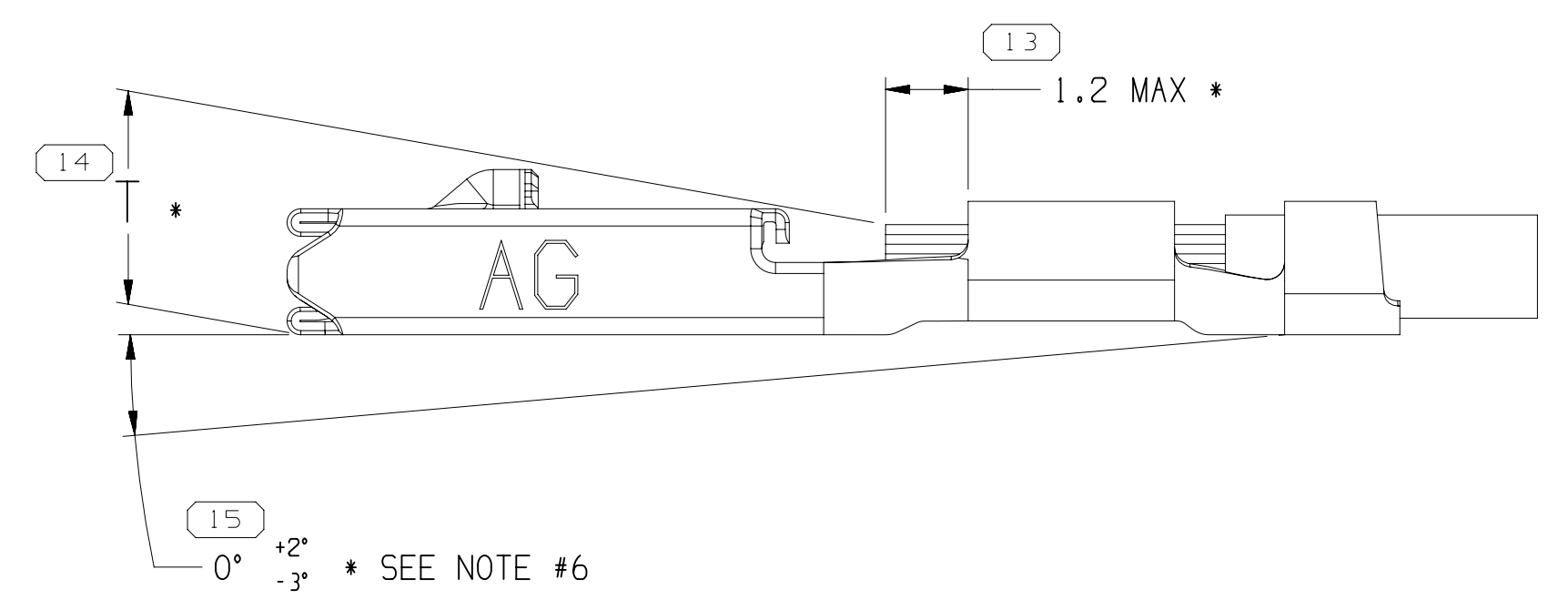
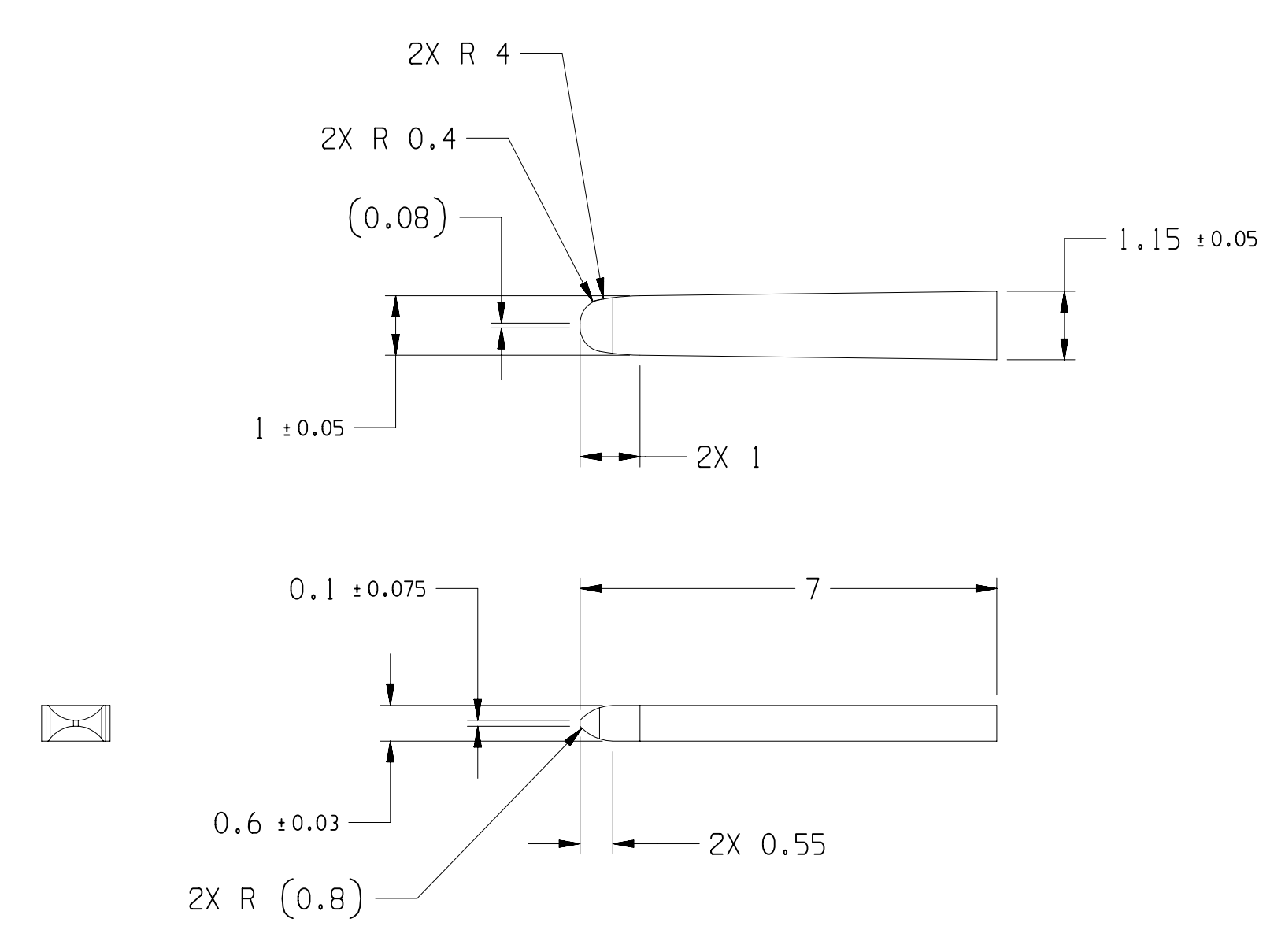


SYMBOL DEFINITION		TOTAL NO OF INSPECTIONS REQUIRED	22
A DIMENSION WITHOUT AN INSPECTION REPORT SYMBOL () DOES NOT REQUIRE INSPECTION. IT MAY BE CONTROLLED ON THE INDIVIDUAL COMPONENT DRAWING.		LAST NO. USED	19

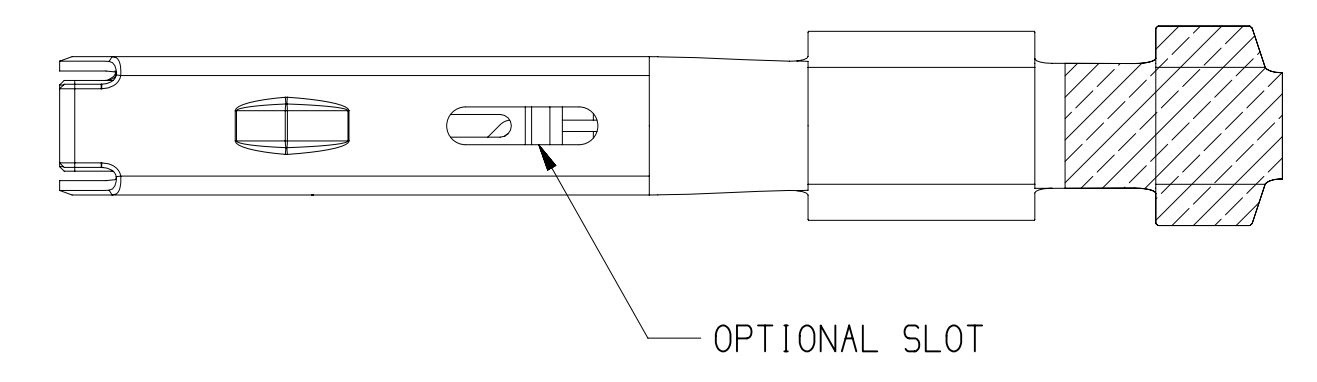
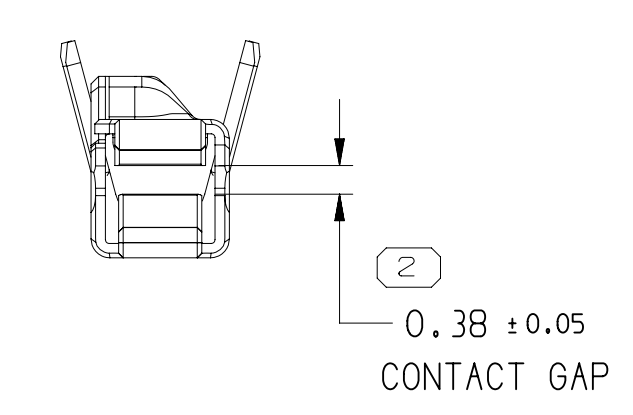
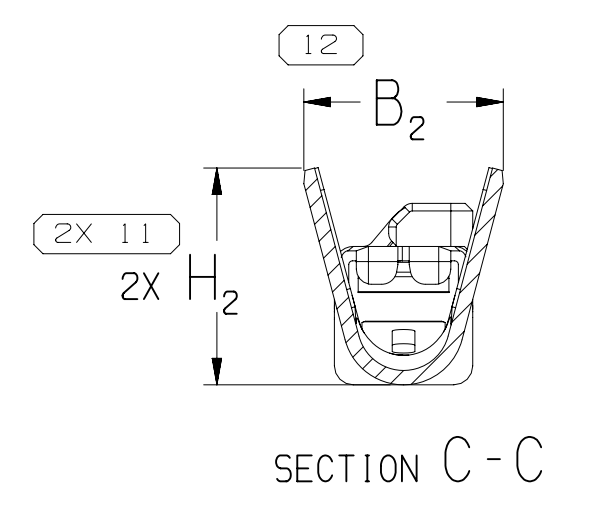
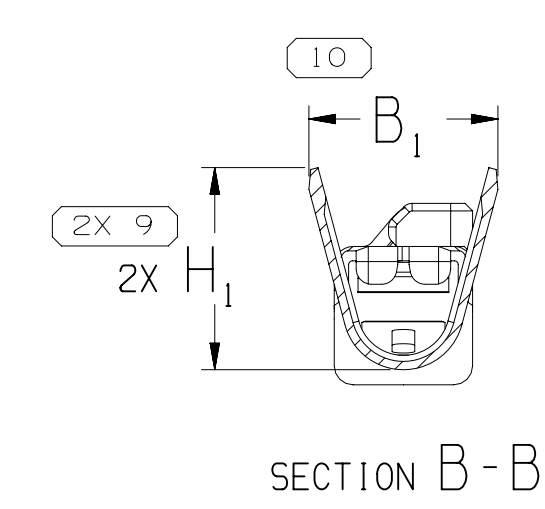
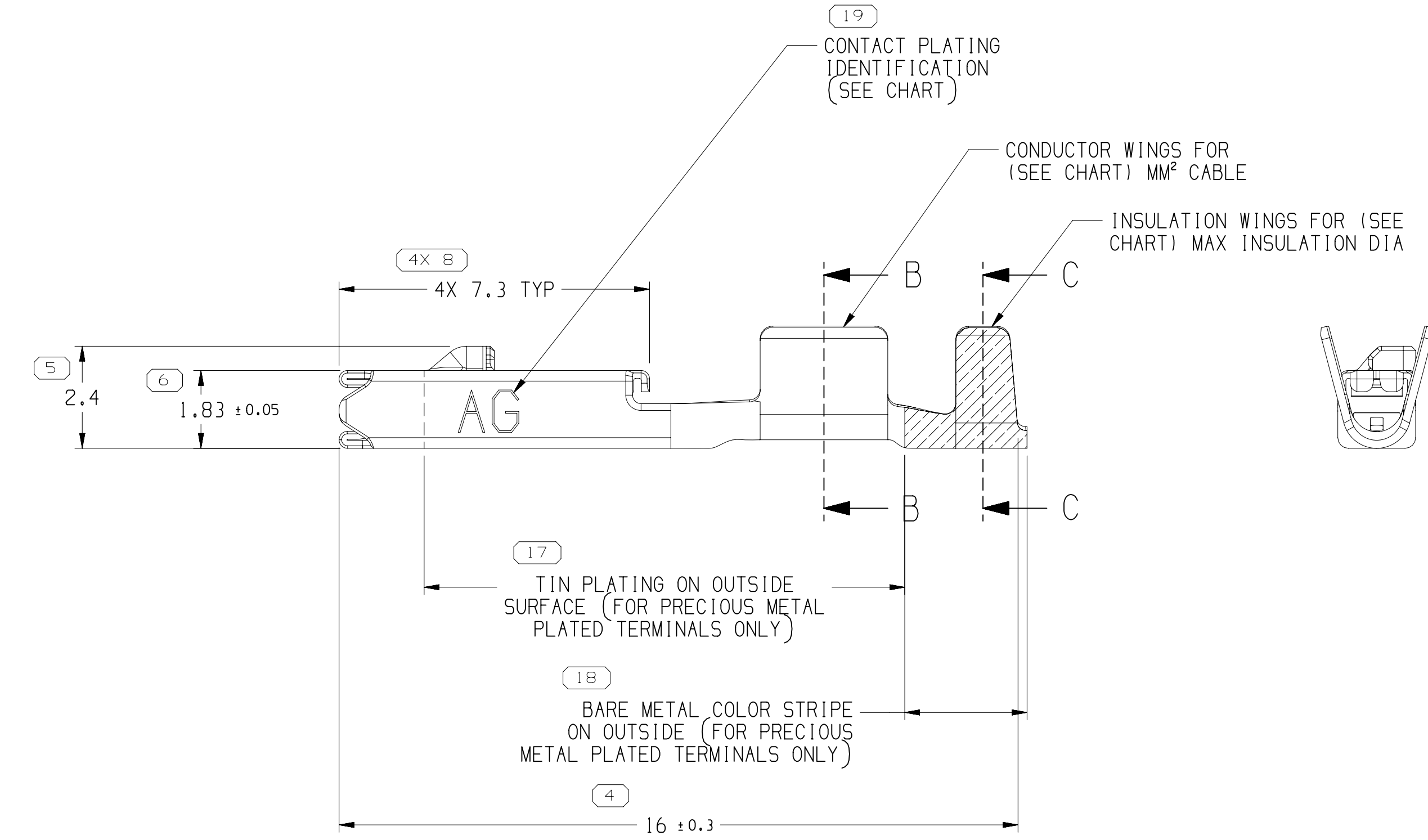
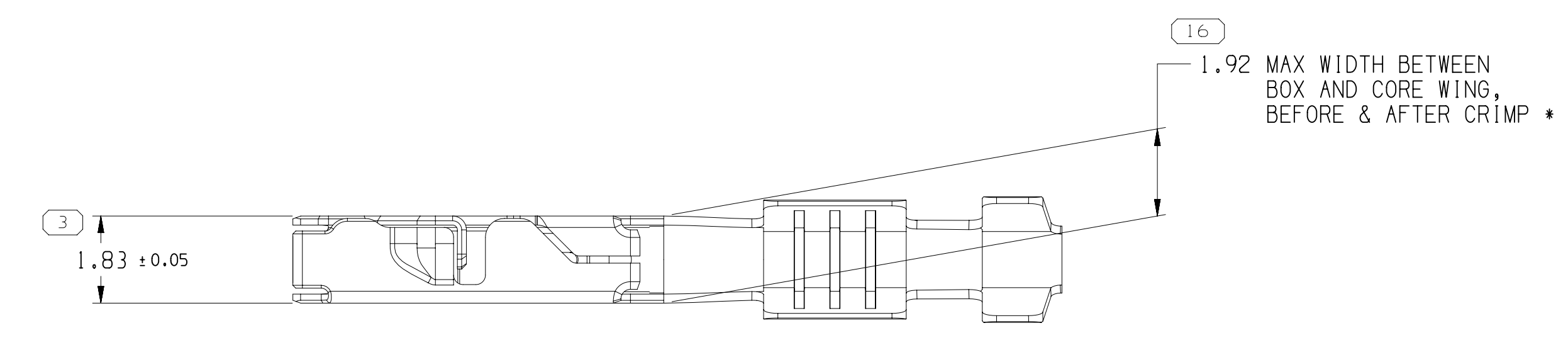
MISSING SYMBOLS				REVISION HISTORY		AUTH	DR	APVD	APVD
DATE	STG	REV	N/P	CHG	ZONE				
15FE07	R	01	-	-		ALL PARTS - RELEASED	400502	MAC	MAC
12JN07	R	02	-	-		ALL PARTS - MAT'L SPEC WAS M5791C21 AND CONTACT PLATING WAS TIN/SILVER	401643	JS	JS
24AU07	R	03	-	-		ALL PARTS: REVISED EXTERIOR LEAD-IN	402155	MM	MM
21SE07	R	04	-	-		ALL PARTS: UPDATED PDM ATTRIBUTES; CORRECTED MATERIAL SPECIFICATION	402423	MM	MM
17MR08	R	05	-	-		ALL PARTS: REDUCED MATERIAL STOCK WIDTH	404136	MM	MM
15MY08	R	06	-	-		ALL PARTS: REVISED PROCESS SENSITIVE DIMENSION	404644	MM	MM
11SE08	R	07	-	-		ALL PARTS: ADDED PLATING INFORMATION AND CONTACT PLATING I.D. COLUMN IN CHART	405961	MM	MM
13N008	R	08	-	-		ALL PARTS: REVISED PLATING INFORMATION	406771	MM	MM
05DE08	R	09	-	-		ALL PARTS: REVISED GRAPHICS	406948	MM	MM
26JA12	R	10	-	-		ALL PARTS - DRAWING NAME WAS TERM F MICRO HVT 1.2	416835	JEG	JEG
05FE13	R	11	-	-		ALL PARTS - ADDED OPTIONAL SLOT LABEL	421330	AHG	JVM
02JL13	R	12	-	-		ALL PARTS: UPDATED PDM ATTRIBUTES; NO REV UPDATE REQ'D	423154	CM	CM
24AP14	R	13	-	-		ALL PARTS - REVISED CRIMP DIMENSIONING NOTE	426369	APB	JAA
12N018	R	14	-	-		ALL PARTS - UPDATED PDM ATTRIBUTES	441457	LXA	JAA



TERMINAL, CABLE CRIMP ALIGNMENT & POSITION

RECOMMENDED MATING BLADE CONFIGURATION

SCALE 10:1



NOTES

- UNLESS OTHERWISE SPECIFIED AND/OR INDICATED:
DIMENSIONS ARE TO FACE OF VIEW SHOWN AND AUTOMATICALLY ROUNDED BY COMPUTER FOR INSPECTION (SEE MATH MODEL FOR PRECISE DIMENSIONS). FOR ALL OTHER DIMENSIONS NOT SHOWN BUT REQUIRED FOR TOOL BUILD, SEE MATH MODEL FOR PRECISE TOOL PATH DATA.
- RECOMMENDED MATING BLADE THICKNESS 0.6 ± 0.03 MM OR 0.64 ± 0.03 MM
RECOMMENDED MATING BLADE WIDTH NOT TO EXCEED 1.2 MM AND NO LESS THAN 0.61 MM.
- MAXIMUM CURRENT CAPACITY IS 10 AMPS WITH 0.8 MM² COPPER CABLE.
- CRIMP DIMENSION FROM THE BACK OF THE CORE WING (INCLUDES THE FLARE OUT FROM THE CORE WING) TO THE END OF THE INSULATION WING.
2.05 MM MAX WIDTH, 2.1 MM MAX HEIGHT FOR CABLE SIZE UP TO 1.9 MM O.D.
2.35 MM MAX WIDTH, 2.40 MM MAX HEIGHT FOR CABLE SIZE BETWEEN 1.86 TO 2.25 MM O.D.
2.67 MM MAX WIDTH, 2.67 MM MAX HEIGHT FOR CABLE SIZE BETWEEN 2.25 TO 2.40 MM O.D.
- + DENOTES DIMENSIONS MADE AT CUT-OFF & CRIMP DIE.
- PLUS ANGLE IS WING BOTTOM SURFACE ROTATED COUNTERCLOCKWISE AGAINST THE BOX BOTTOM SURFACE.

PART NO	REV	N/P	MAT'L SIZE	MAT'L SPEC	CONTACT PLATING	CONTACT PLATING I.D.	SIZE (MM²)	ID	DIA	B ₁ ±0.2	B ₂ ±0.3	(H ₁)	(H ₂)	T MAX
13627897	02	AL	0.19 X 26.78	SILVER PLATED COPPER ALLOY	SILVER	AG	0.8-1.0	17	1.86 - 2.4	2.5	2.8	2.7	2.8	1.6
13627896	02	AL	0.19 X 26.78	SILVER PLATED COPPER ALLOY	SILVER	AG	0.75-0.8	18	1.7 - 1.9	2.5	2.5	2.7	2.5	1.5
13627884	02	AL	0.19 X 26.78	SILVER PLATED COPPER ALLOY	SILVER	AG	0.35-0.50	21	1.47 - 1.9	2	2.4	2.1	2.4	1.4

3 PROCESS SENSITIVE DIMENSION	INDICATES THAT PHYSICAL PARTS ARE NOT AVAILABLE FOR ORDERING.
4 DIMENSIONS ENCLOSED IN () INDICATE REFERENCE DIMENSING AND NO TOLERANCE LIMITS ARE ESTABLISHED.	CHART D
5 HISTORICAL RANGE (MM)	> 12
6 TOLERANCE UNLESS OTHERWISE SPECIFIED	±0.1 ±0.2
7 ANGULAR TOLERANCE	±2°

PART DRAWING	
STYLE	D
VOLUME (CM)	DISTR CODE
UNLESS OTHERWISE SPECIFIED	
THIS DOCUMENT IS IN ACCORDANCE WITH ASME Y14.5M-1994 AS MODIFIED BY THE 2003 GLOBAL DIMENSIONING AND FITTING PRACTICES ADDENDUM 2003. SEPARATE PATTERNING OF FEATURES MAY BE MADE SEPARATELY REGARDLESS OF DATUM REFERENCES.	
ALL DIMENSIONS ARE IN MILLIMETERS	
THIRD ANGLE PROJECTION	DO NOT SCALE
USE MATH DATA	NX

APTIV
CONNECTION SYSTEMS
WARREN, OH
COPYRIGHT 2007 APTIV. ALL RIGHTS RESERVED.
THIS DRAWING IS THE PROPERTY OF APTIV AND CONTAINS APTIV CONFIDENTIAL INFORMATION. THE REPRODUCTION, DISTRIBUTION AND UTILIZATION OF THIS DOCUMENT OR ITS RELATED DATA, AS WELL AS COMMUNICATION OF ANY CONTENT TO OTHERS, WITHOUT EXPRESS AUTHORIZATION, IS PROHIBITED.

DRAWING NUMBER: TAXI TERM F OCS 1.2

DRAWING NAME: TAXI TERM F OCS 1.2

DRAWING NUMBER: 13543112

SIZE: A0 SCALE: 10:1 FRAME NO: 1 OF 1 SHEET NO: 3 OF 3 STG REV: 14

Sheet: 13543112 Rev: 14 Date: 20-Nov-18 Time: 14:20:21